

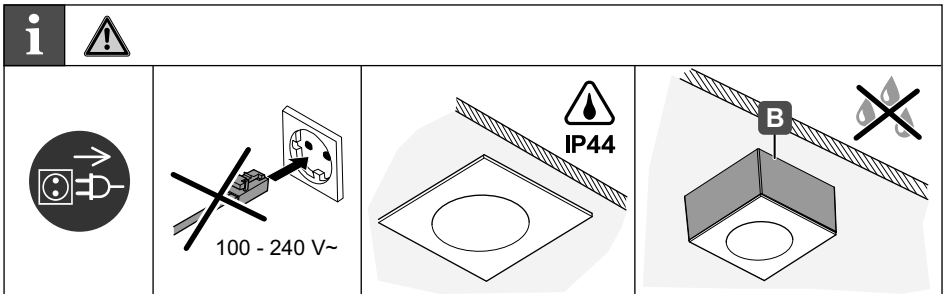
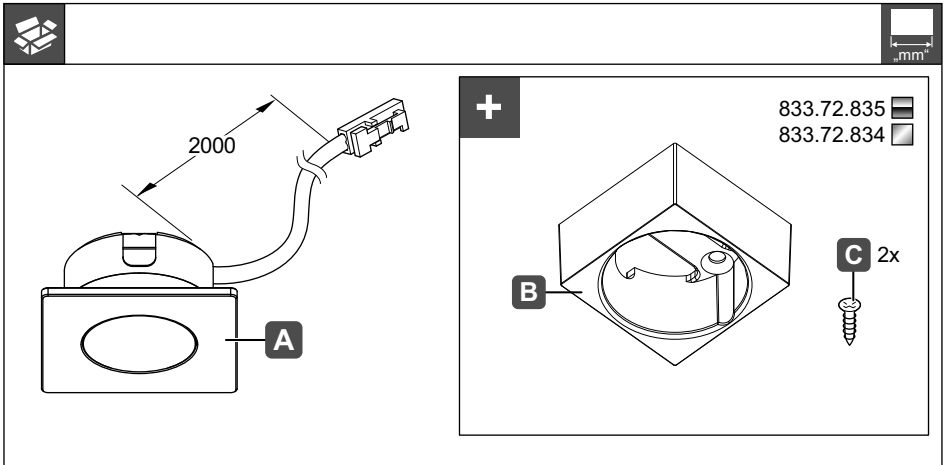


LED 2023


833.72.060 833.72.064
 833.72.061 833.72.065
 833.72.062 833.72.066
 833.72.063

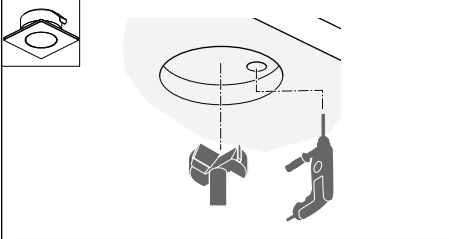
12V System	K	W	T _A	mm	mm	~ =
833.72.060 833.72.064	3000 K	1.5 W	-20 °C – +45 °C -4 °F – +113 °F	30 x 30 x 13	≥ 40 x 40 x 23	Loox 12V
833.72.061 833.72.065	4000 K					
833.72.062 833.72.066	5000 K					
833.72.063	3000 K					

732.28.238

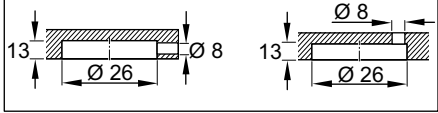


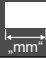
HDE 04/2017

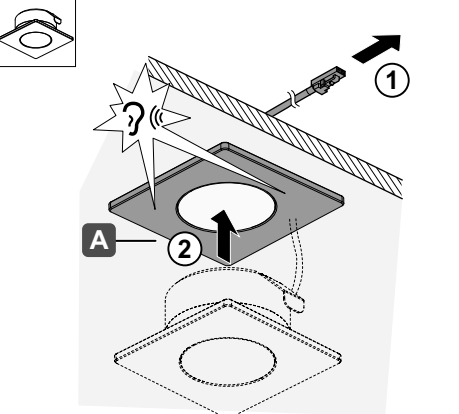
1  26 mm 8 mm




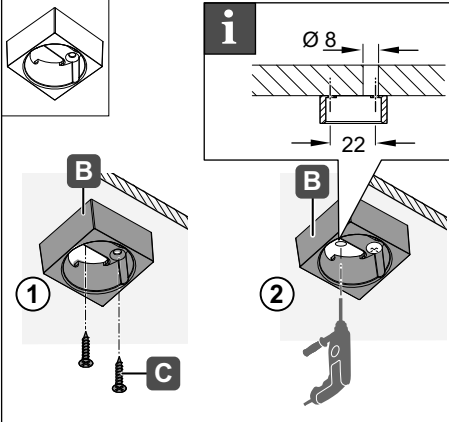
i



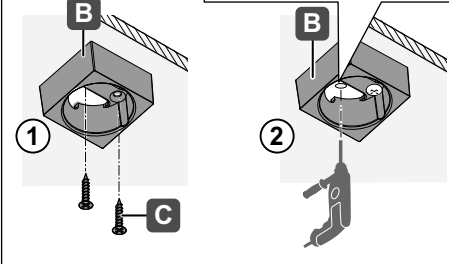
2 




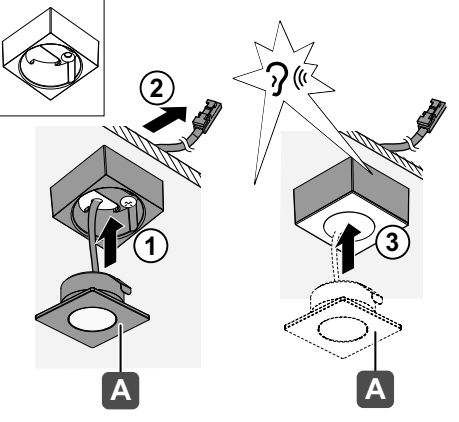
1  8 mm



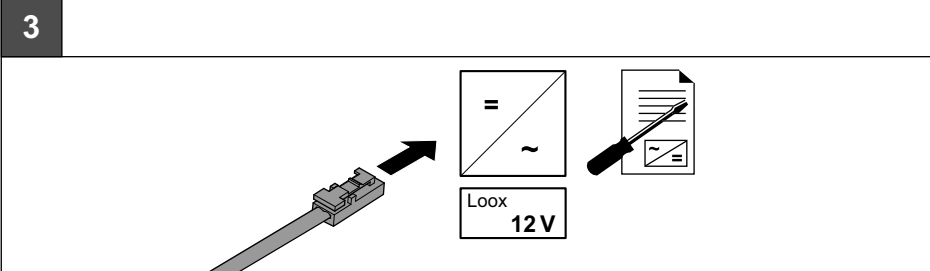
i Ø 8 22



2 



3



Loox 12V

732.26.238

HDE 04/2017