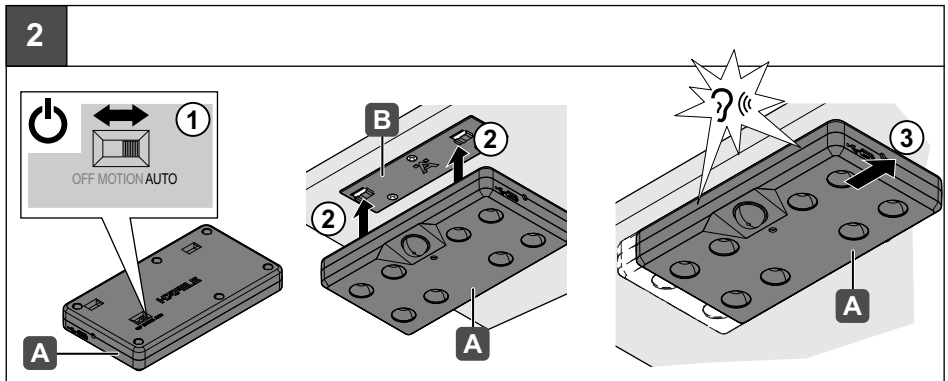
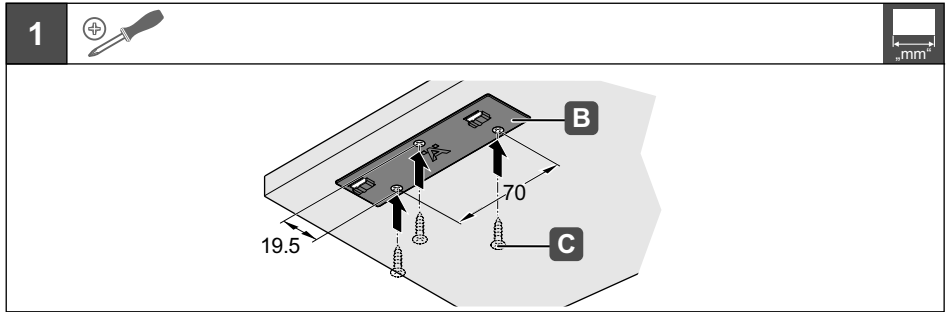
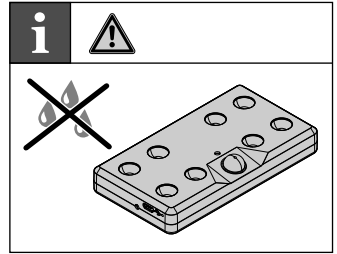
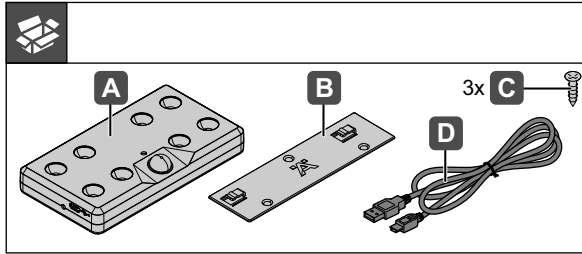




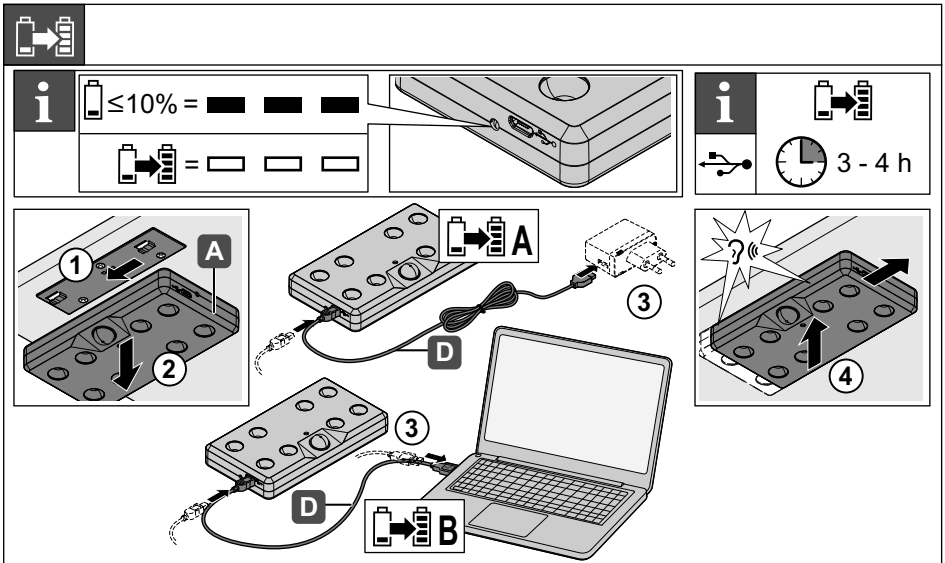
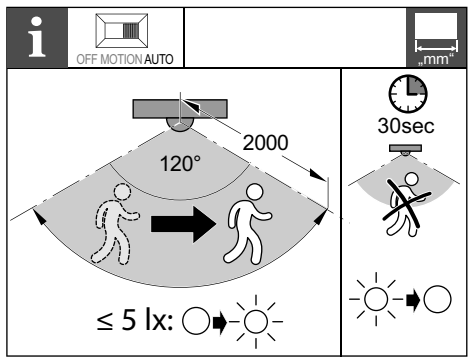
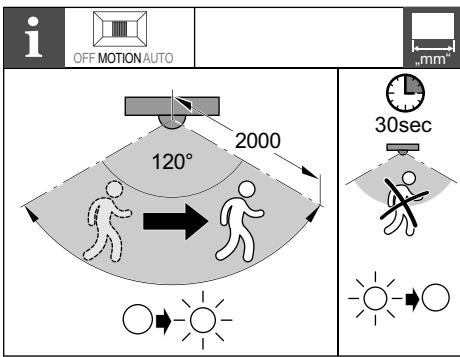
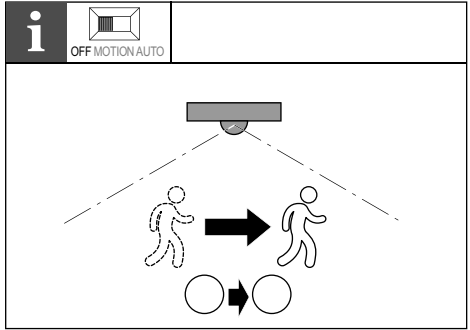
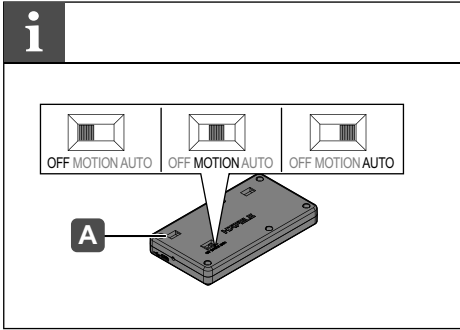
## LED 9004

Battery System	K	W	T <sub>A</sub>	mm	mm	
833.87.021	4000 K	0,8 W	-20 °C – +30 °C -4 °F – +86 °F	120 x 65 x 17	≥ 130 x 75 x 27	DC5V (≤ 1A)



732.28.247

HDE 29.05.2017



732.28.247

HDE 29.05.2017