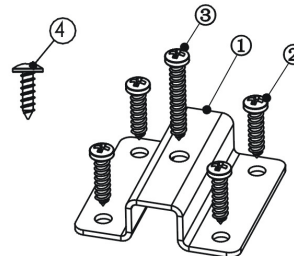
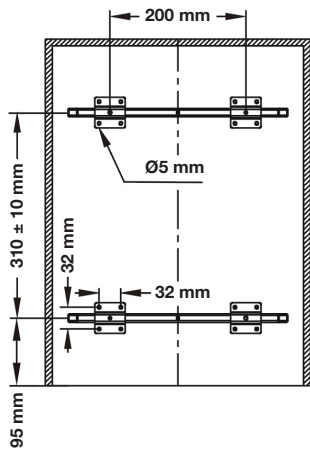
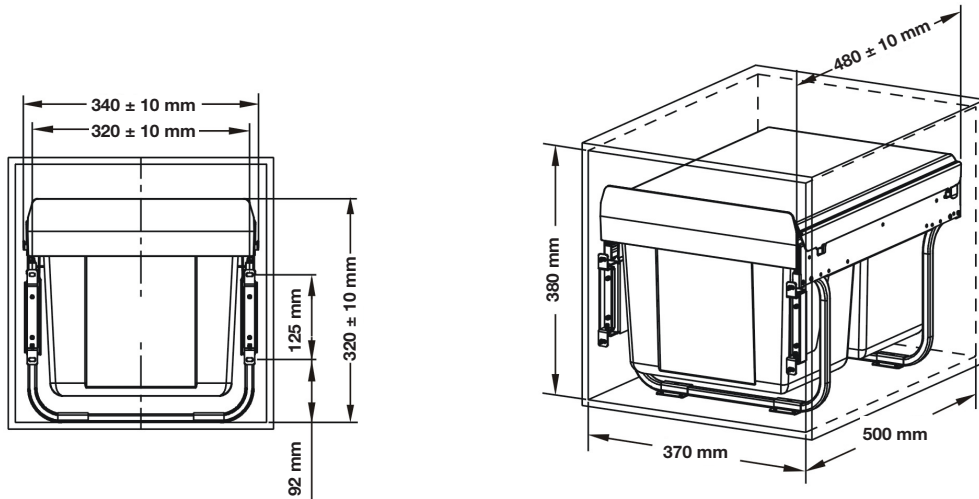


OSKA F Waste Bin
2 x 15 Ltr, Door mount

Cat. No:
503.06.560

Installation dimensions



BOM List		
1	Brackets	4 PCS
2	4 x 16 mm screws	16 PCS
3	4 x 25 mm screws	6 PCS
4	4 x 16 mm screws	4 PCS